



SCREW DISPENSER





ADVANTAGES

➤ Reliable processing

Minimises risk of error by supplying the correct number and type of screws.

➤ Flexible

Can be combined with different DEPRAG feeding devices for the supply of up to three different screw types.

➤ Technical cleanliness

In combination with the DEPRAG particle killer.

➤ Ergonomic

Supplies the correct screw to point of use.

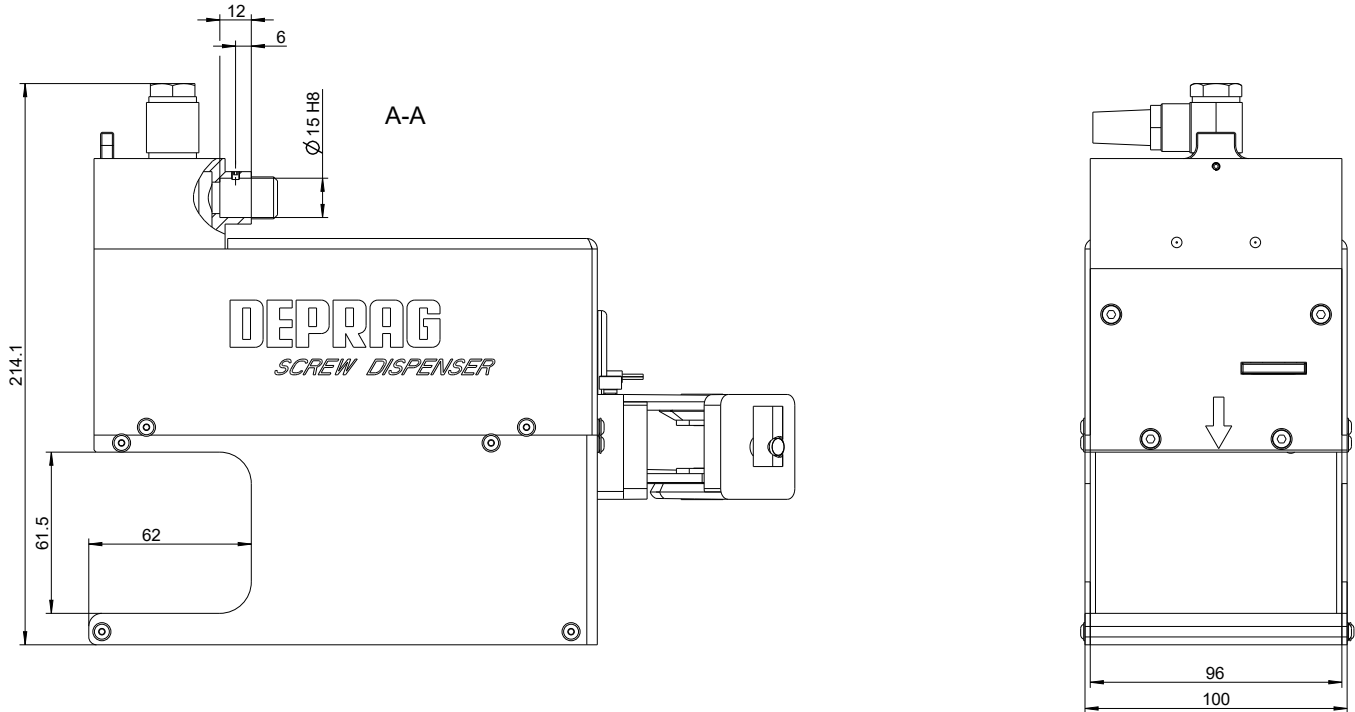
Technical data

Screw Dispenser	Type Part no.	SD-K12-L30-3 133000A	SD-K12-L60-3 133100A
Max. number of different screw types	pcs.		3
Max. shaft length	mm	30	60
Max. head diameter	mm		12
Operating voltage	Volt		24
Operating pressure	bar		6
Dimensions (WxHxL)	mm	100x214.1x234	100x212.1x319
Weight	kg	4.5	6.75

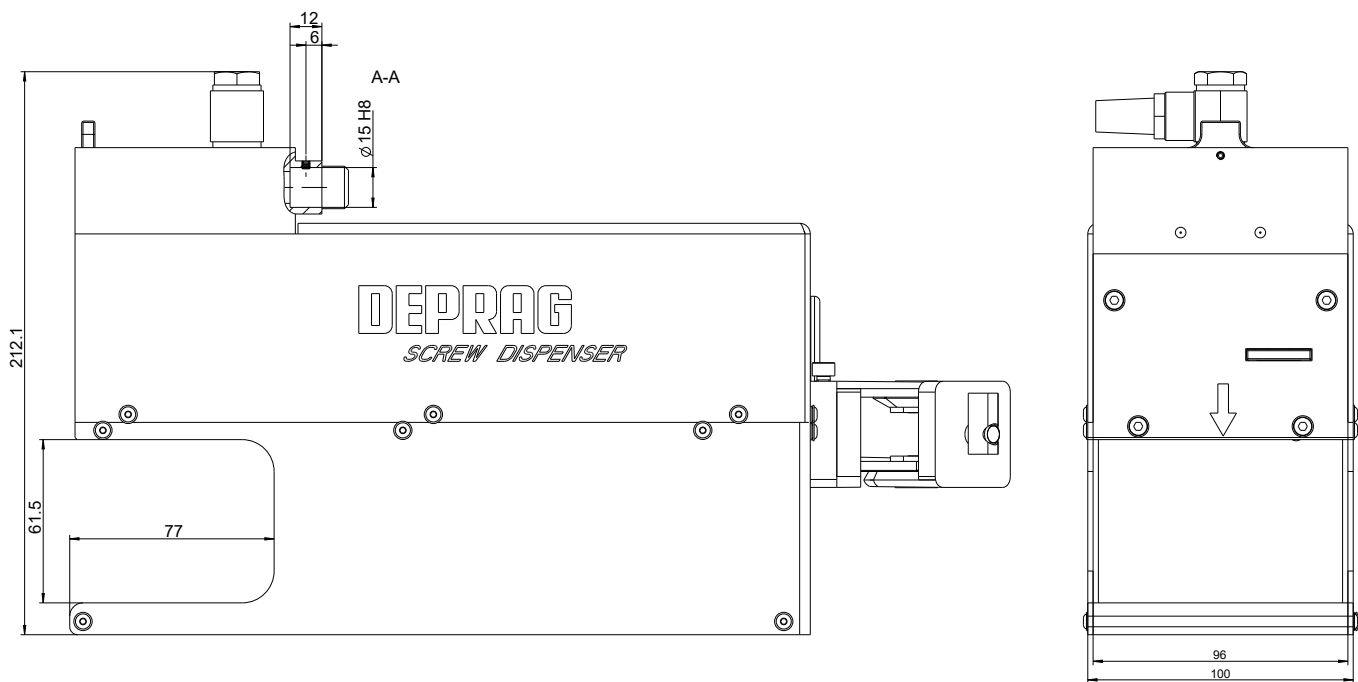
➤ Customer-specific system designs are also available. Please contact us to discuss the right solution for you!

Dimension sheet

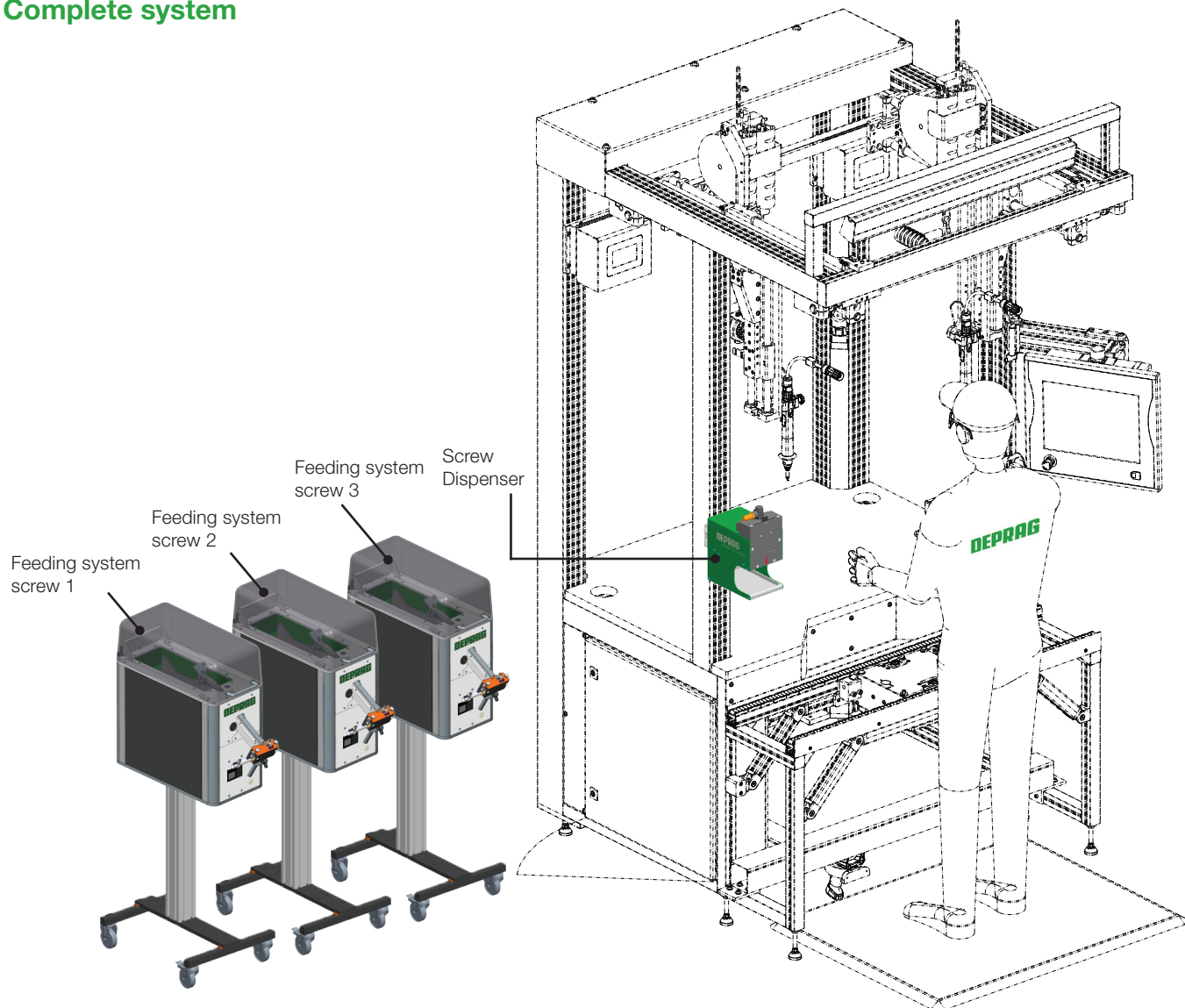
Type SD-K12-L30-3



Type SD-K12-L60-3



Complete system



DEPRAG

DEPRAG SCHULZ GMBH u. CO. KG

P.O. Box 1352 | D-92203 Amberg
Carl-Schulz-Platz 1 | D-92224 Amberg
Phone: +49 9621 371-0 | Fax: +49 9621 371-120
www.deprag.com | info@deprag.de

D0066E | 10.2022